

## BBT - Bright Beer Tank



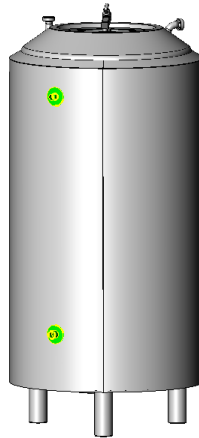
BBT - Bright beer tanks are high quality build. Three-layered insulation pressurized tank (working pressure is 3 bar) with manhole on top and can be stainless steel or glass. Cooling is done through stripes that are in spiral shape on the wall and on lowest point on wall, this technology is used in pharmaceutical equipment. This kind of cooling increases efficiency and better temperature regulation. Tanks are fully equipped with CIP spray ball, two butterfly valves, sampling tap, safety valve, air lock valve, carbonating stone connections and pressure release valve for regulating fermentation under pressure. Upper DN25 valve is also used as decantator, which enable to pump beer out from tank on different height level. Regulation is done with two-line circular shape regulator, which is on front of a tank so user can monitor real time temperature on tank and also this regulator can be connected to central computer for central monitoring and regulation of tanks. The power and connection cable of regulator goes between double wall on backside, so regulator is on front side and there is no cable to see on fort. Regulator open and closes magnetic valve or motorized valve for cooling regulation. Optional can be added valves also for heating.

# Brewiks

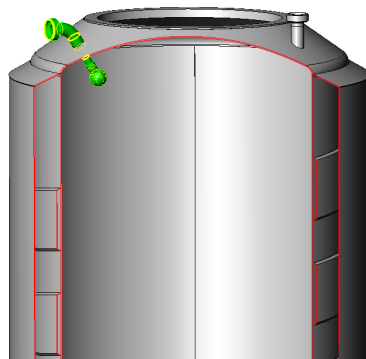
*micro brewery*



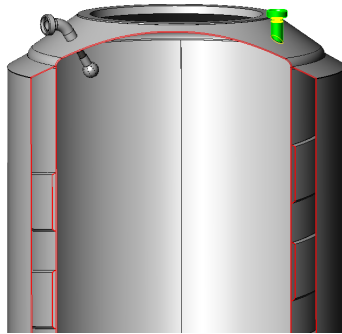
Manhole on top is available in glass or stainless steel design.



Connection for cold water or glycol cooling system.



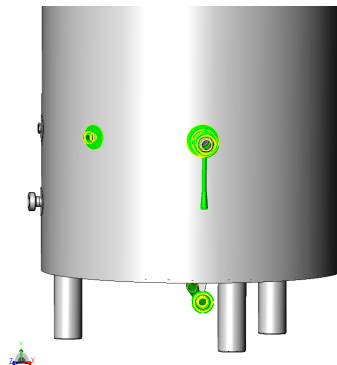
CIP spray ball for perfect cleaning.



DN25 connection for air lock, safety valve and pressure release valve.



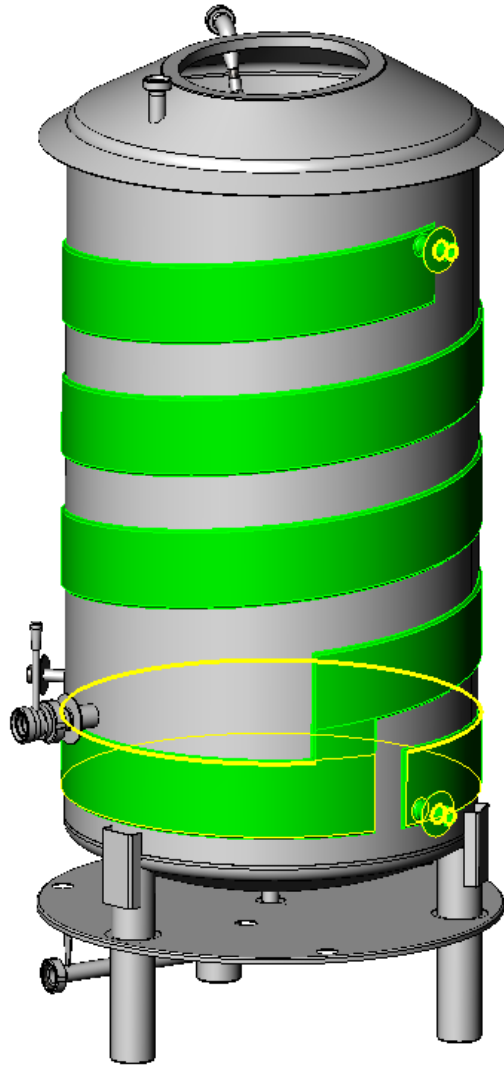
Thermowell for temperature probe and regulator.



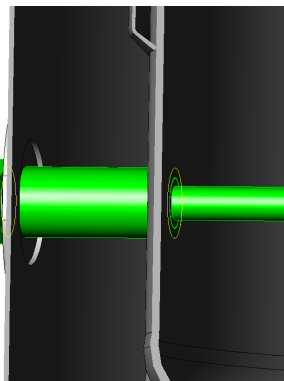
2x DN25 connection for butterfly valve and DN15 connection for sampling tap.



Beautiful design and all joints are welded.



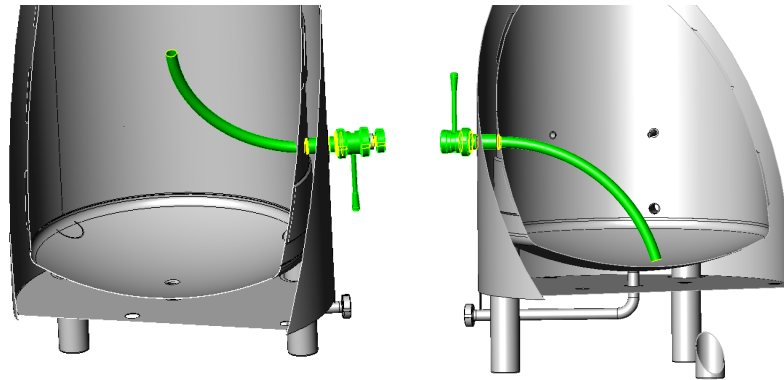
Cooling liquid is forced to circulate and to go through cylindrical part and on low point on wall is special cooling stripe to increase cooling efficiency on this low part of tank. High tech production of BBT enables better cooling performance.



Special insertion of thermowell for holding temperature probe. With this special insertion there is no welds of thermowell and also there are no threads.

# Brewiks

*micro brewery*



Special system is intended to pump beer from different levels in tank. With decantator user can use BBT as fermentation tank and storage tank. Users usually use BBT to maximize volumen per square meter.

Type	BBT 25	BBT 30	BBT 40	BBT 50	BBT 100	BBT 150
Total volume [l]	251	313	423	556	1.056	1.556

Total volumen.